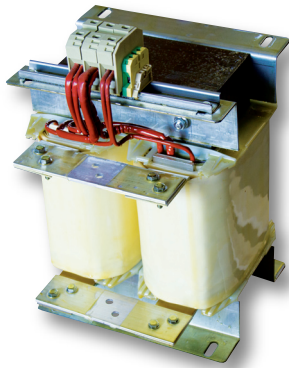




Datasheet 202303

Single-phase UI isolation power transformers from 2.5 to 25 KVA

APPROVALS



CHARACTERISTICS

- Rated power from 2.5 to 25 KVA
- Compact dimensions
- Available in different voltages / types

BENEFITS

- Low power loss
- Available with box, switch or fuses
- Custom solutions available

MARKETS

- Machine tools
- Automated machinery
- Packaging
- Automation control panels
- Industrial automation

POWER KVA



CODE

| TMUI | 10 | 40 | X | 48 | X | M | M | 0 | 0 | 0 |
|--|---|---|---------------------|---|---------------------|-------------------------|-------------------------|---|--|--|
| MODEL | POWER (KVA) | PRIMARY VOLTAGE | PRIMARY WINDING | SECONDARY VOLTAGE | SECONDARY WINDING | PRIMARY CONNECTION | SECONDARY CONNECTION | MULTITAP | BOX | OPTIONS |
| TMUI = single-phase UI isolation transformer | 05 = 0.5KVA 1 = 1KVA 10 = 10KVA 100 = 100KVA | 10 = 100V 12 = 120V 23 = 230V 40 = 400V 48 = 480V 60 = 600V 69 = 690V | X = non applicabile | 10 = 100V 12 = 120V 23 = 230V 40 = 400V 48 = 480V 60 = 600V 69 = 690V | X = non applicabile | M = clamp B = busbar | M = clamp B = busbar | 0 = no tap 5 = +/-5% 10 = +/-10% 15 = +/-15% 510 = +/-5.10% | 0 = no box 1 = IP21 box 2 = IP24 box 3 = IP54 box | 0 = no options B = switch F = fuses T = term. central T3 = term. each branch |

TECHNICAL SPECIFICATIONS

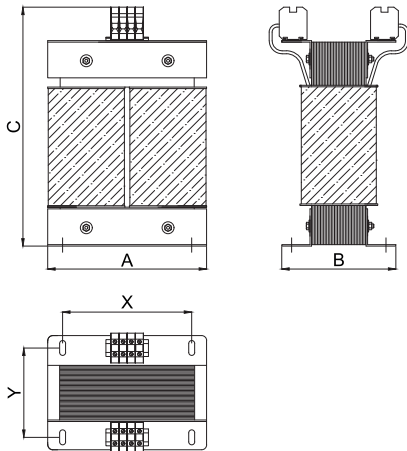
| | |
|-----------------------|---|
| Primary voltage | 0 - 690 Vac |
| Secondary voltage | 0 - 690 Vac |
| Power | 2.5 - 25 KVA |
| Insulation class | F or H |
| Temperature class | -20° C to +80° C |
| Winding | Copper / Aluminum |
| Service | Continuous |
| Derating | -20° C to +80° C |
| Altitude derating | 1500m, over 1% decrease every 100m |
| Wrapped IP protection | IPO0 |
| Connection protection | IP20 (with terminals) IPO0 (with busbar) |
| Frequency | 50/60 Hz |
| Dielectric strength | 5.5 KV |

MECHANICAL DIMENSIONS mm

| Model | Power (VA) | External Dimensions | | | Interaxis | | Weight (Kg) | Case | Box IP21 |
|------------|------------|---------------------|-----|-----|-----------|-----|-------------|------|----------|
| | | A | B | C | X | Y | | | |
| TMUI2.5*** | 2.5 | 200 | 200 | 320 | 150 | 115 | 18 | 1 | B01 |
| TMUI5*** | 5 | 240 | 220 | 370 | 180 | 145 | 34 | 1 | B01 |
| TMUI7.5*** | 7.5 | 320 | 270 | 490 | 260 | 155 | 50 | 1 | B01 |
| TMUI10*** | 10 | 320 | 270 | 490 | 260 | 155 | 53 | 1 | B01 |
| TMUI12*** | 12 | 320 | 300 | 490 | 260 | 185 | 69 | 1/2 | B01 |
| TMUI15*** | 15 | 320 | 320 | 490 | 260 | 205 | 85 | 1/2 | B01 |
| TMUI18*** | 18 | 320 | 330 | 490 | 260 | 215 | 92 | 1/2 | B01 |
| TMUI20*** | 20 | 320 | 330 | 490 | 260 | 215 | 95 | 1/2 | B01 |
| TMUI22*** | 22 | 320 | 350 | 490 | 260 | 235 | 104 | 1/2 | B01 |
| TMUI25*** | 25 | 320 | 350 | 490 | 260 | 235 | 108 | 1/2 | B01 |

*** Product code name

CASE 1



CASE 2

