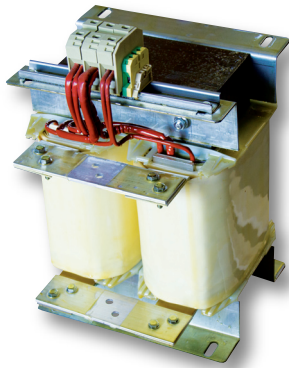




Datasheet 202303

Single-phase UI power transformers from 2.5 to 25 KVA

APPROVALS



CHARACTERISTICS

- Rated power from 2.5 to 25 KVA
- Compact dimensions
- Available in different voltages / types

BENEFITS

- Low power loss
- Available with box, switch or fuses
- Custom solutions available

MARKETS

- Machine tools
- Automated machinery
- Packaging
- Automation control panels
- Industrial automation

POWER KVA



CODE

TMU	10	40	X	48	X	M	M	0	0	0
MODEL	POWER (KVA)	PRIMARY VOLTAGE	PRIMARY WINDING	SECONDARY VOLTAGE	SECONDARY WINDING	PRIMARY CONNECTION	SECONDARY CONNECTION	MULTITAP	BOX	OPTIONS
TMU = single-phase UI transformer	05 = 0.5KVA 1 = 1KVA 10 = 10KVA 100 = 100KVA	10 = 100V 12 = 120V 23 = 230V 40 = 400V 48 = 480V 60 = 600V 69 = 690V	X = non applicabile	10 = 100V 12 = 120V 23 = 230V 40 = 400V 48 = 480V 60 = 600V 69 = 690V	X = non applicabile	M = clamp B = busbar	M = clamp B = busbar	0 = no tap 5 = +/-5% 10 = +/-10% 15 = +/-15% 510 = +/-5.10%	0 = no box 1 = IP21 box 2 = IP24 box 3 = IP54 box	0 = no options B = switch F = fuses T = term. central T3 = term. each branch

TECHNICAL SPECIFICATIONS

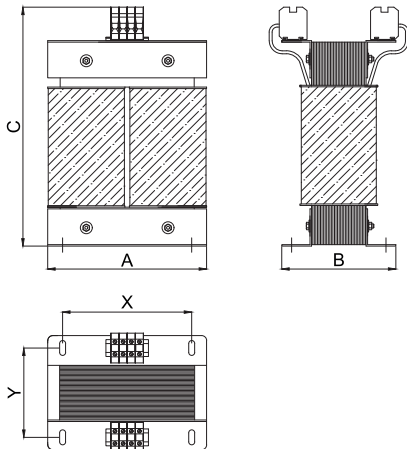
Primary voltage	0 - 690 Vac
Secondary voltage	0 - 690 Vac
Power	2.5 - 25 KVA
Insulation class	F or H
Temperature class	-20° C to +80° C
Winding	Copper / Aluminum
Service	Continuous
Derating	-20° C to +80° C
Altitude derating	1500m, over 1% decrease every 100m
Wrapped IP protection	IPO0
Connection protection	IP20 (with terminals) IPO0 (with busbar)
Frequency	50/60 Hz
Dielectric strength	5.5 KV

MECHANICAL DIMENSIONS mm

Model	Power (VA)	External Dimensions			Interaxis		Weight (Kg)	Case	Box IP21
		A	B	C	X	Y			
TMU2.5***	2.5	200	200	320	150	115	18	1	B01
TMU5***	5	240	220	370	180	145	34	1	B01
TMU7.5***	7.5	320	270	490	260	155	50	1	B01
TMU10***	10	320	270	490	260	155	53	1	B01
TMU12***	12	320	300	490	260	185	69	1/2	B01
TMU15***	15	320	320	490	260	185	85	1/2	B01
TMU18***	18	320	330	490	260	215	92	1/2	B01
TMU20***	20	320	330	490	260	215	95	1/2	B01
TMU22***	22	320	350	490	260	235	104	1/2	B01
TMU25***	25	320	350	490	260	235	108	1/2	B01

*** Product code name

CASE 1



CASE 2

