

Telephone Filters For Medical Shielded enclosures

Electrical characteristics

Nominal voltage	see table
Test voltage (phase to phase)	1000 V _{DC} (2 s)
Test voltage (phase to ground)	1000 V _{DC} (2 s)

Model	Nominal Voltage 0 – 60 Hz	Nom. Curr. [A] at TA=40°C	Nominal Impedance Line to ground	Nominal Impedance Line to line	Case
ENT205-5K	600 V _{DC} - 120 V _{AC}	0.2	300 Ohm	600 Ohm	1
ENT205-3K	600 V _{DC} - 120 V _{AC}	0.5	300 Ohm	600 Ohm	1

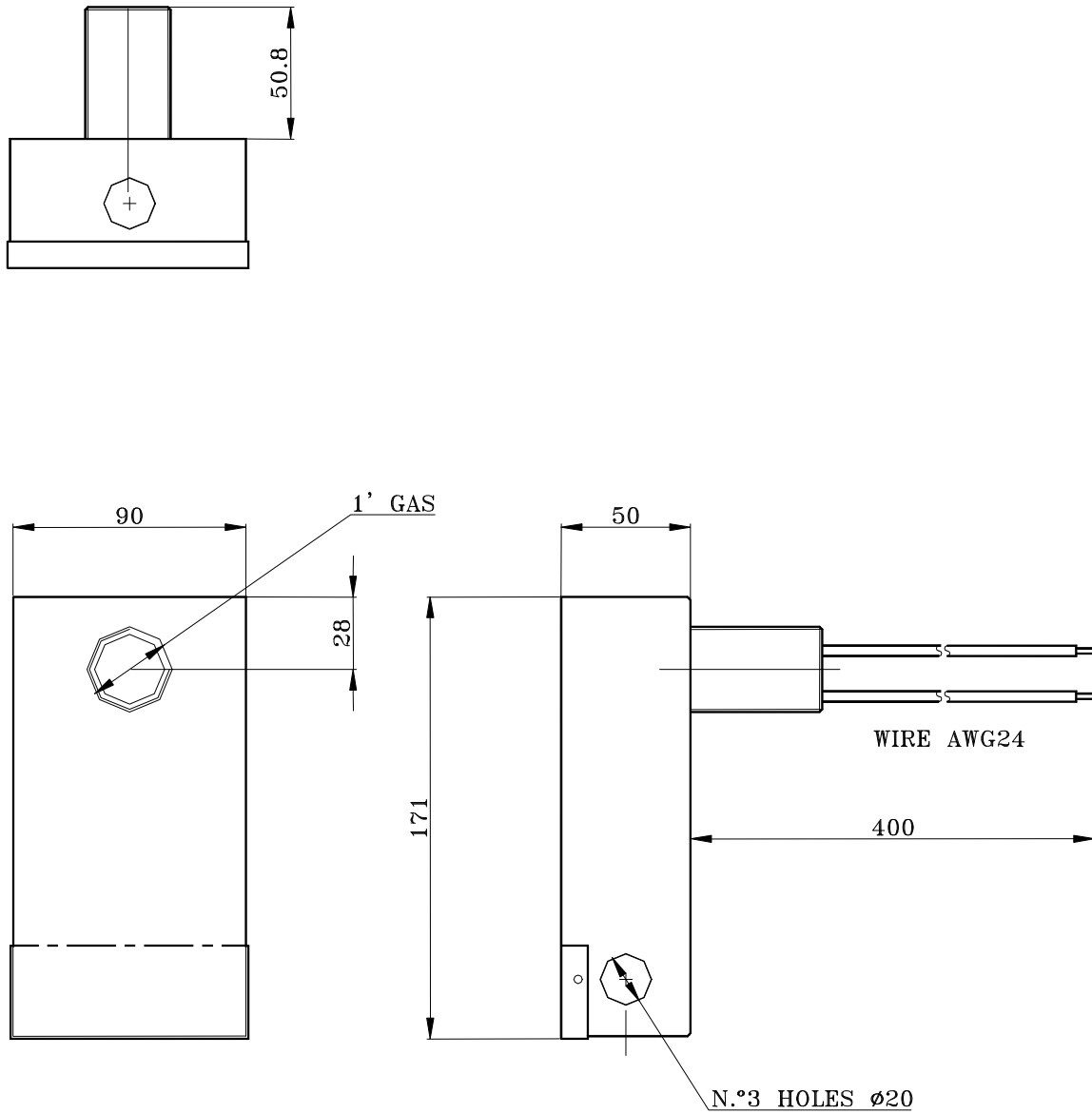
Attenuation

Model	Pass Band	25 kHz	1 GHz
ENT205-5K	0 – 5 kHz (-3dB)	> 100 dB	> 100 dB

Model	Pass Band	14 kHz	1 GHz
ENT205-3K	0 – 3 kHz (-3dB)	> 100 dB	> 100 dB

Mechanical dimensions in mm

Case 1



All the dimension are in mm.

